

MF 12-180



Dustless Construction Cutter



SERVICE

Tool service and maintenance must be performed only by qualified repair personnel.

When servicing a tool, only use identical replacement parts available from FEIN.

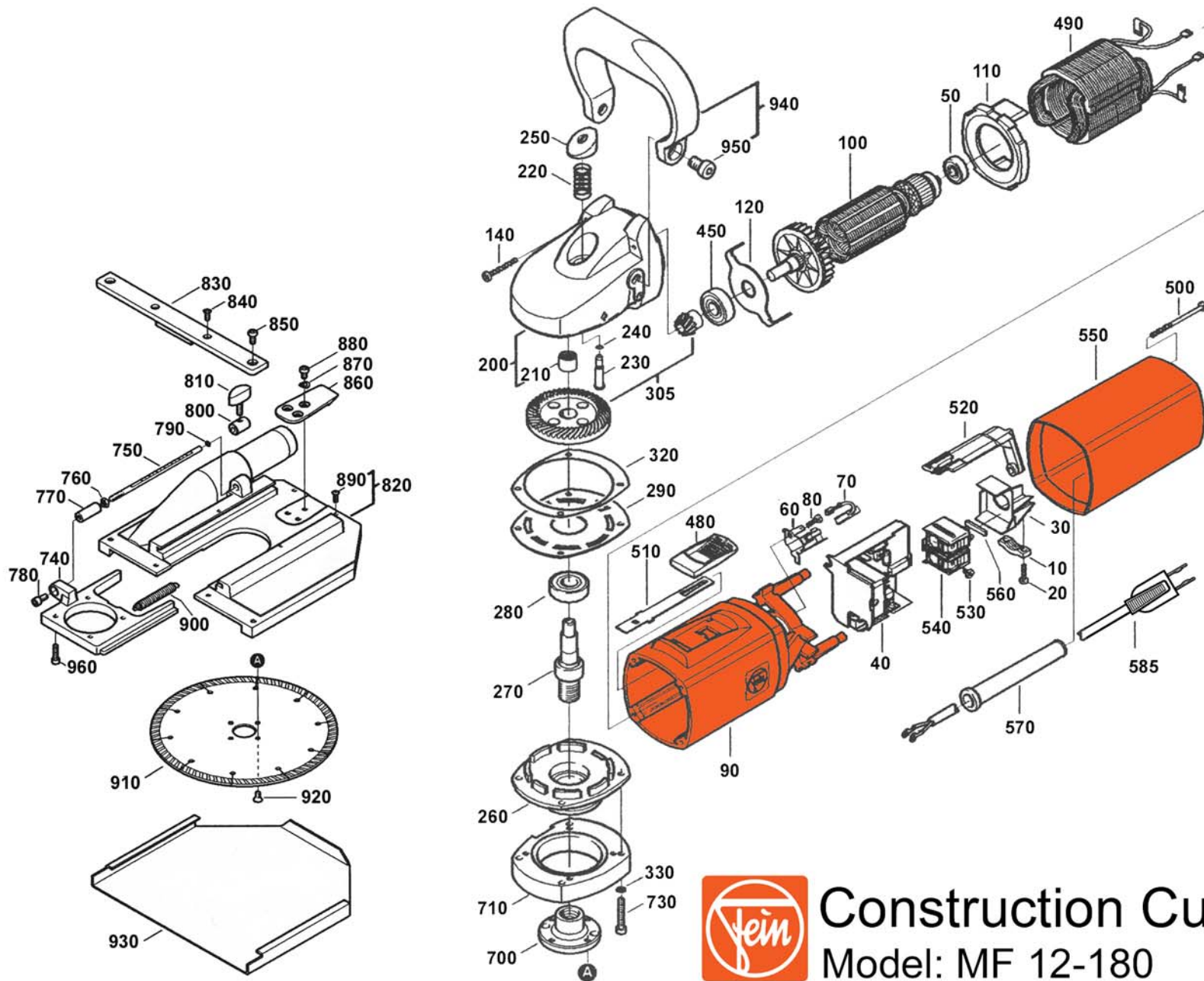
Repairs on FEIN Power Tools required the use of special tools (pulling devices and bearing press). Authorized repair centers have trained repair technicians and equipment necessary to perform these repairs. Service or repairs performed by unqualified persons could result in operator injury.

For the location of the repair center near you, please call 1-800-441-9878. Monday thru Friday, 9AM to 5PM EST. Or, look on our web site at www.feinus.com and follow the link to "Authorized Warranty Repair Centers"

**FEIN Power Tools
1030 Alcon Street
Pittsburgh, PA 15220**

Phone: 412-922-8886 Fax: 412-922-8767 Toll Free: 1-800-441-9878

Nov. 24, 2004



Construction Cutter
 Model: MF 12-180

FEIN Power Tools

MF 12-180 Parts List

<u>Item</u>	<u>Item Number</u>	<u>Description</u>	<u>Reqd</u>	
10	3-24-31-021-00-7	CABLE CLAMP	1	_____
20	4-30-70-001-00-6	SCREW	2	_____
30	3-24-31-040-00-6	SUPPORT	1	_____
40	3-07-62-216-99-6	ELECTRONIC	1	_____
50	4-17-01-001-17-2	BALL BEARING	1	_____
60	3-07-12-088-02-9	BRUSH HOLDER	2	_____
70	3-07-11-136-00-2	BRUSH	2	_____
80	4-30-70-018-00-9	SCREW	4	_____
90	3-19-01-114-01-4	MOTOR HOUSING	1	_____
100	5-3-273-001-11-7	ARMATURE	1	_____
110	3-14-28-118-00-7	AIR CONDUCTING RING	1	_____
120	3-24-16-098-00-5	COVER PLATE	1	_____
140	4-30-70-007-00-2	SCREW	4	_____
200	3-12-06-110-01-5	GEAR HOUSING	1	_____
210	4-17-05-019-00-1	NEEDLE BEARING	1	_____
220	3-09-01-032-00-3	SPRING	1	_____
230	3-02-17-327-00-3	PIN	1	_____
240	4-06-12-137-00-8	SEALING RING	1	_____
250	3-28-05-185-00-2	BUTTON	1	_____
260	3-24-19-115-00-6	BEARING PLATE	1	_____
270	3-34-06-284-00-9	SHAFT	1	_____
280	4-17-01-010-05-4	BALL BEARING	1	_____
290	3-24-16-101-00-9	COVER PLATE	1	_____
305	3-38-09-229-01-2	BEVEL GEAR ASSY	1	_____
320	3-26-24-117-00-9	WASHER	1	_____
330	4-24-43-003-04-3	LOCK WASHER	4	_____
450	4-17-01-007-22-6	BALL BEARING	1	_____
480	3-28-05-156-00-8	SLIDING SWITCH	1	_____
490	5-1-273-001-11-5	FIELD COIL	1	_____
500	4-30-70-017-00-1	SCREW	2	_____
510	3-28-16-055-00-0	SWITCH BAR	1	_____
520	3-28-16-052-00-4	SWITCH ROD	1	_____
530	4-30-41-039-99-9	SCREW	2	_____
540	3-07-01-218-00-3	SWITCH	1	_____
550	3-12-01-100-00-9	COVER	1	_____
560	3-14-15-082-00-4	BOLSTER	1	_____
570	3-14-13-007-00-7	CABLE PROTECTIVE SLEEVE	1	_____
580	3-07-05-035-01-3	CABLE	1	_____
700	6-38-01-178-00-4	INNER FLANGE	1	_____
710	3-13-36-017-00-7	GUARD MOUNTING SPACER	1	_____
730	4-30-35-010-04-6	SCREW	1	_____
740	3-13-36-010-00-2	BLADE SLIDE PLATE	1	_____

750	3-13-36-011-00-1	DEPTH STOP ROD	1	_____
760	4-20-01-007-05-3	NUT	1	_____
770	3-13-36-012-00-4	SLEEVE	1	_____
780	4-30-35-013-05-8	SCREW	1	_____
790	3-13-36-013-00-8	WASHER	1	_____
800	3-13-36-014-00-6	SLEEVE	1	_____
810	3-13-36-015-00-0	THUMB SCREW	1	_____
820	3-13-36-002-01-4	BLADE GUARD WITH VAC ATTACHMENT	1	_____
830	3-13-36-006-00-4	EDGE CAP	1	_____
840	3-13-36-007-00-8	SCREW	2	_____
850	3-13-36-008-00-6	SCREW	2	_____
860	3-13-36-003-00-9	LOCKING TAB	1	_____
870	3-13-36-020-00-1	WASHER	3	_____
880	3-13-36-005-00-1	SCREW	3	_____
890	3-13-36-004-00-7	SCREW	2	_____
900	3-13-36-016-00-3	SPRING	1	_____
910	6-35-02-146-01-1	SAW BLADE	1	_____
920	4-30-69-005-04-4	SCREW SHOE	4	_____
930	3-13-36-009-00-0	GUARD COVER	1	_____
940	3-13-36-018-01-4	HANDLE ASSY	1	_____
950	3-13-36-019-00-9	SCREW	2	_____
960	4-30-35-008-04-0	SCREW	4	_____